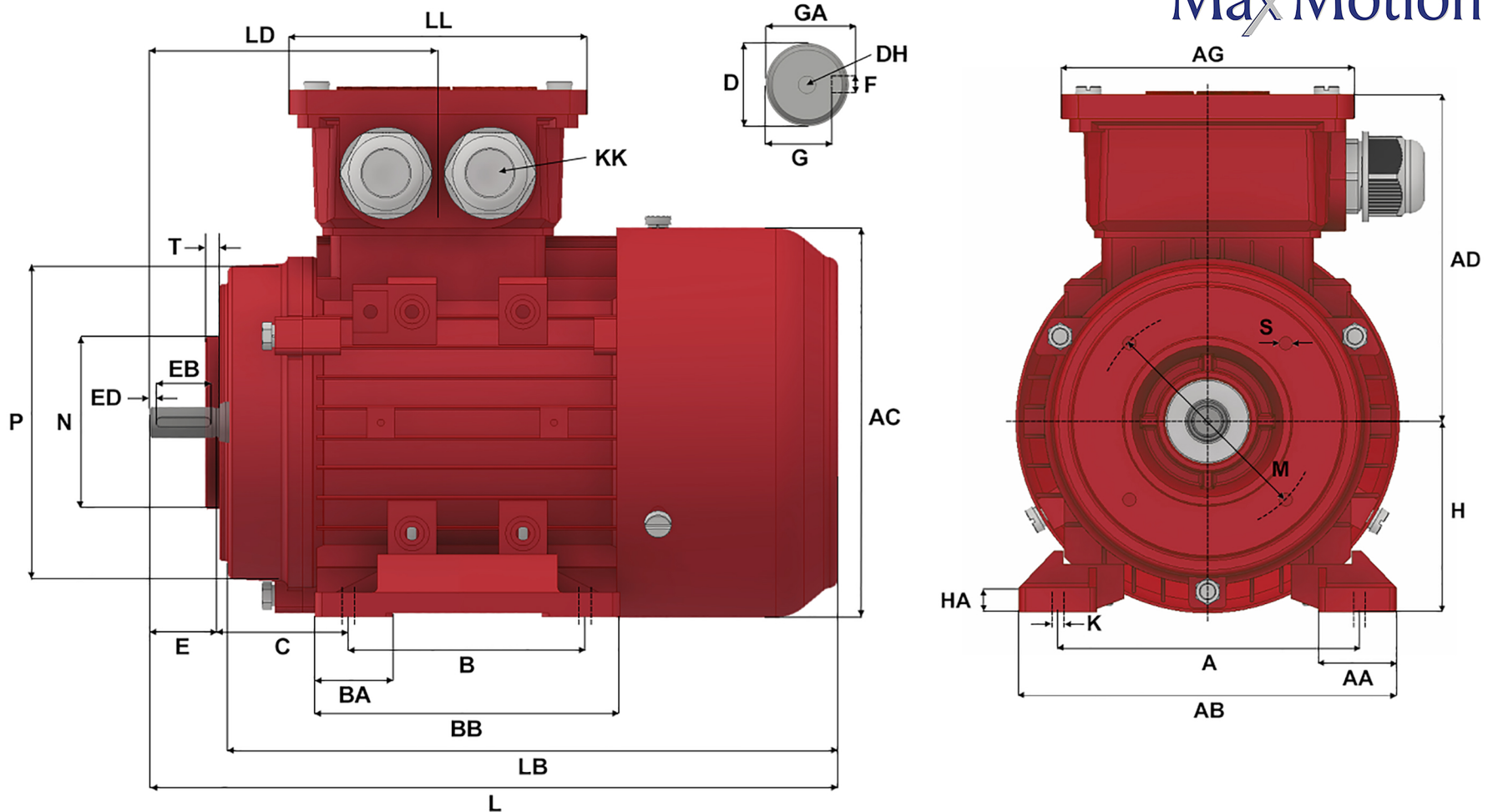


MaxMotion



| Version: 1JLEM | | Revised: 09-11-2019 | | | | HP | RPM | FRAME | ENCLOSURE | IJA711-4-B34A | | | |
|--|-----------|---------------------|--------|-----|-------|------|------|--------|-----------|---------------|-----|-----|--|
| Customer is responsible in determining that Max Motion product will fit/perform suitably in the intended application | | | | | | 0.37 | 1595 | 71 | TEFC | | | | |
| A | B | C | D | E | F | G | H | K | L | M | N | P | |
| 112 | 90 | 45 | 14 | 30 | 5 | 11 | 71 | 7 X 11 | 245 | 85 | 70 | 105 | |
| S | T | AA | AB | AC | AD | AG | BA | BB | DH | EB | ED | GA | |
| M6 | 2.5 | 26 | 138 | 136 | 112 | 101 | 26 | 110 | M5 X 12 | 25 | 2.5 | 16 | |
| HA | KK (1) | KK (2) | KK (3) | LB | LD | LL | | | | | | | |
| 8 | M20 X 1.5 | 1/2" NPT | - | 215 | 110.5 | 101 | | | | | | | |